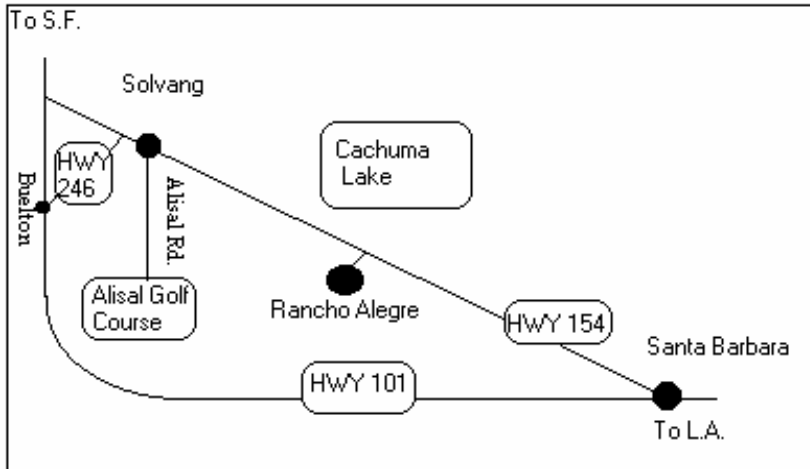


20 Minutes from SB or Solvang!



Note:
Rancho Alegre entrance is 1/4 mile east of Cachuma Lake

**Santa Barbara Get Together
P.O. Box 914
Santa Barbara, CA 93120**

17th Annual Santa Barbara AA GetTogether

Keep It Simple

with Al-Anon / Alateen Participation

- Close to Town, Drive Up for the Day!
- 20 Minutes from S. B. / Solvang Motels
- On-Site R.V. Parking (No Hookups)
- Saturday Night Campfire Sing-a-Long
- Sports Activities for the Kids
- Hiking, Swimming and Canoeing
- Nature Walk
- Morning Meditation Meetings at the Chapel
- Full Camping Facilities (Propane Stoves Only)
- 400-seat Meeting / Dining Hall with Meals
- Friday and Saturday Evenings and Sunday Morning Childcare Available
- Larry Capdeville Golf Tournament Friday, May 12th at the Santa Barbara Municipal Course - 7:30 a.m. - Shotgun Start

Rancho Alegre Policy:

No Pets, Mountain Bikes or Campsite Fires

Friday, Saturday and Sunday

May 12, 13, and 14, 2006

*Rancho Alegre Convention Facility,
near Cachuma Lake*

2006 REGISTRATION FORM

Make checks payable to:
Santa Barbara Get Together
P. O. Box 914
Santa Barbara, CA 93120

1. (check one) AA _____ Al-Anon _____ Alateen _____ Name _____ Address _____ City _____ Zip _____ Can you volunteer: Y ___ N ___ Phone # _____
2. (check one) AA _____ Al-Anon _____ Alateen _____ Name _____ Address _____ City _____ Zip _____ Can you volunteer: Y ___ N ___ Phone # _____

<u>Event</u>	<u>Cost</u>	<u>#</u>	<u>Sub-Total</u>
Registration	\$12.00 Individual \$20.00 Family	_____	_____
Camping	\$15.00 per adult for the weekend	_____	_____
Dorm Bunk (hot showers)	\$12.00 per person per night	_____	_____
Sat. Breakfast	\$6.00 (Scrambled Eggs, Bacon, Muffins, fruit, juice, coffee)	_____	_____
Sat. Lunch	\$6.00 (Burgers, Hot Dogs, Salads, Beverages)	_____	_____
Sat. Banquet	\$15.00 (Roast Beef, Herb Potatoes, Vegetables, Spring Mix Salad, Rolls, Dessert, Beverages)	_____	_____
Sun. Breakfast	\$8.00 (Scrambled Eggs, Sausages, Biscuits and Gravy, Cereal, Juice and Coffee)	_____	_____
Larry Capdeville Golf Tournament (4-Person Best Ball — Shotgun Start at 7:30 am.)	\$65.00 (Must register by April 29th to participate in Golf Tournament at Santa Barbara Municipal Course. Cart included)**	_____	_____
Total			\$ _____

Friday, May 12, 2006

7:30 a.m. Larry Capdeville Golf Tournament
 4:00 p.m. Registration Opens
 6:00 p.m. AA Meeting
 8:00 p.m. AA Speaker Meeting
Speaker: Carla M., Sherman Oaks, CA
 9:30 p.m. Campfire Meeting

Saturday, May 13, 2006

7:30-9:00 a.m. Breakfast
 8:00-9:00 a.m. Meditation Meeting
 10:00 a.m. AA Meeting
 12:00 Noon Lunch
 1:00 p.m. Family Pitch
Speakers: Patrick and Kathy G., Lompoc, CA
 3:00 p.m. AA Speaker Meeting
 3:30-5:30 p.m. Nature Walk
 (Meet at Dining Hall Deck)
 6:30 p.m. Dinner
 7:30 p.m. AA Speaker Meeting
Speaker: Larry T., Long Beach, CA

Sunday, May 14, 2006

7:30-9:00 a.m. Breakfast
 8:00-9:00 a.m. Meditation Meeting
 9:30 a.m. AA Speaker Meeting
Speaker: Chuck G., Burbank, CA

For More Info:
Call Tom at (805) 966-2833
or Tiara at (805) 965-6199
****Golf Registration call Matt F. 805-886-6834**
www.santabarbaraaa.com